



**EUROPEAN GATE
VALVES LIMITED**

quality gate valve manufacturer



reliability
maximum
life

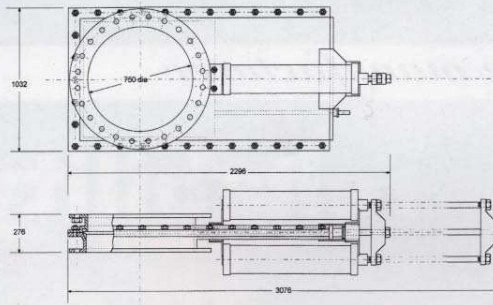
Isolation Gate Valves to provide, operational and emergency seals on boiler and kiln feed lines or product feed control and interrupt in high temperature and/or abrasive product applications.

The 760mm Double Gate Valve shown has provided trouble free operation on a kiln feed application for 8 years at 60,000 cycles per year.

Silo isolation gate valves of compact design and long life. Spectacle style gates for product control available to suit application.



**Heavy Duty Dry
Process Gate Valves**



Cast Iron for strength

Cast High Nickel Alloys for high temperatures

High Chrome Irons for abrasion resistance.

Fabricated construction in Carbon and Stainless Steels

Accessories available include

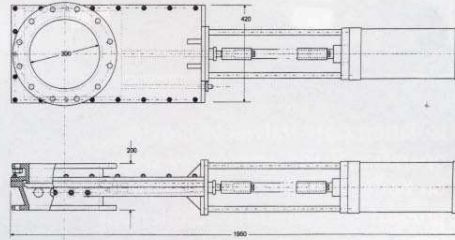
Control and monitoring with Mini-PLC.

Gate position indication through
mounted contact limit switches
non-contact proximity switches
cylinder mounted reed switches.

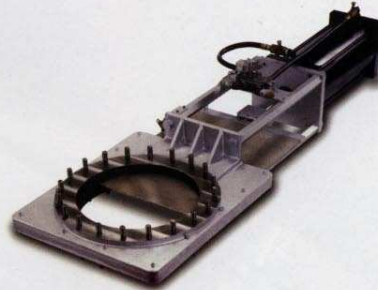
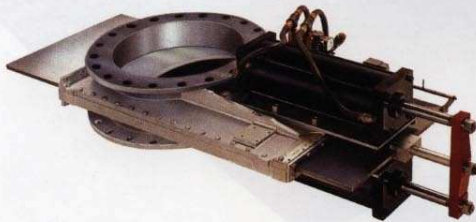
Air swept slides, purged seals and bonnets

Refractory Lining, Heat Shields, Water Cooling

Manual, Pneumatic, Electric or Hydraulic actuation



Custom designs available in a wide range of sizes to suit specific applications and process requirements. Flange configuration to suit and accessories supplied to ensure full integration with the process and control equipment.



EUROPEAN GATE VALVES LIMITED

ASH STREET, BRADLEY, BILSTON,
WOLVERHAMPTON, ENGLAND. WV14 8UN
Tel: 01902 409590 Fax: 01902 409736
e-mail: sales@egatevalves.co.uk
web: www.egatevalves.co.uk