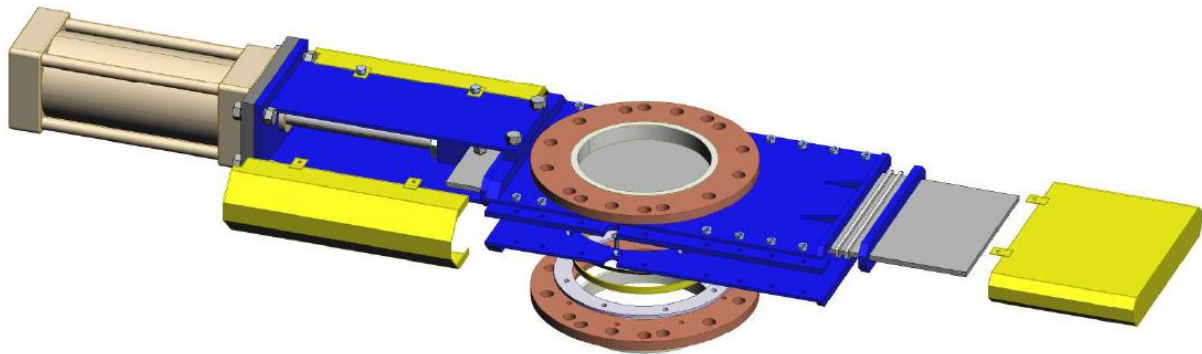




**European**  
**GATE VALVES**  
— LIMITED —

## SGV-Series Valves



### Features:

- Ideal valve for dense slurry and solids applications and dry or wet process.
- Spectacle gate design cuts through solids providing consistent operation in the most difficult applications
- Circular style gate fully protects the seat face in open position, giving you longer service life
- Will close through a static column of material
- Fully fabricated from carbon steel with Stainless steel gate
- Wetted components available in 304, 316 and 317L or custom depending upon your requirements
- Metal to metal gate seal

### Range of options:

- Hand wheel
- Electric Motor
- Pneumatic
- Indication
- Control accessories

### General Applications:

- For severe service and speciality applications
- Mining
- Power
- Recycled Paper
- Chemical
- Bulk Materials

### Range:

- 100mm to 600mm, 150psi CWP at ambient temperature